

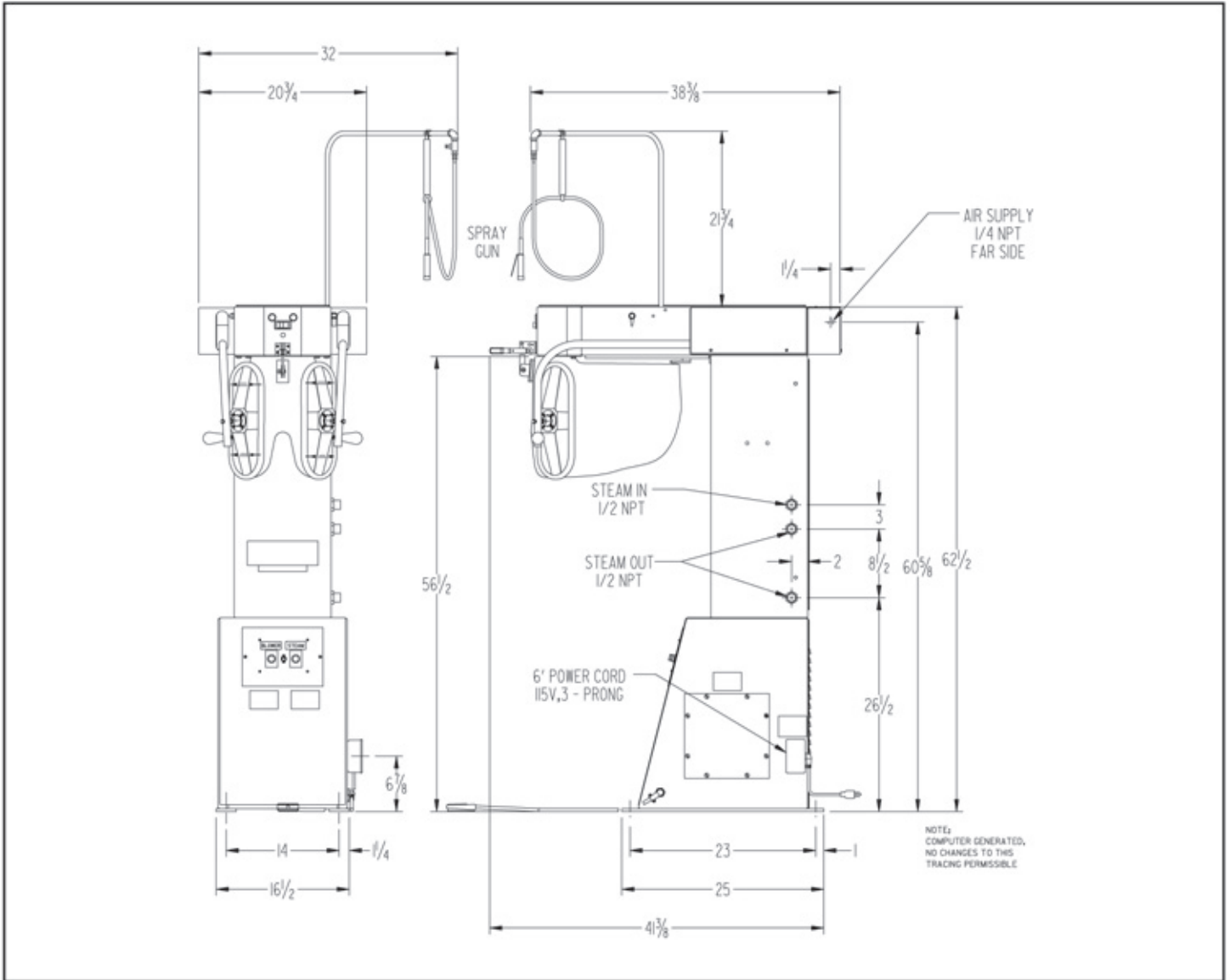
UNIPRESS

STF SEMI-AUTOMATIC PANTS TOP FINISHER



- *Automatic Steam and Air Cycles*
- *High Temperature Air For Fast Drying*
- *Handles Sizes 23-46*
- *Foot Controlled Waist Band Expander*
- *Adjustable Timers*
- *Easy Access For Maintenance*
- *Fly Clamp*
- *Designed And Manufactured in U.S.A.*

STF TECHNICAL DATA



SPECIFICATIONS

| TYPE | STF |
|-------------------|----------|
| Overall Height | 62 1/2" |
| Overall Length | 41 3/8" |
| Overall Width | 20 3/4" |
| Steam Inlet (1) | 1/2" NPT |
| Steam Outlets (2) | 1/2" NPT |
| Steam Supply | 85 PSI |
| Boiler Horsepower | 3/4 BHP |
| Electrical | 115/1/60 |
| Amperage | 5 Amps |
| Net Weight | 280 lbs. |



Unipress reserves the right to alter or vary the specifications contained in this leaflet without notice. Drawings not to scale.

UNIPRESS

3501 Queen Palm Drive Tampa, Florida 33619
 Telephone (813) 623-3731 FAX (813) 626-2565
 www.unipresscorp.com